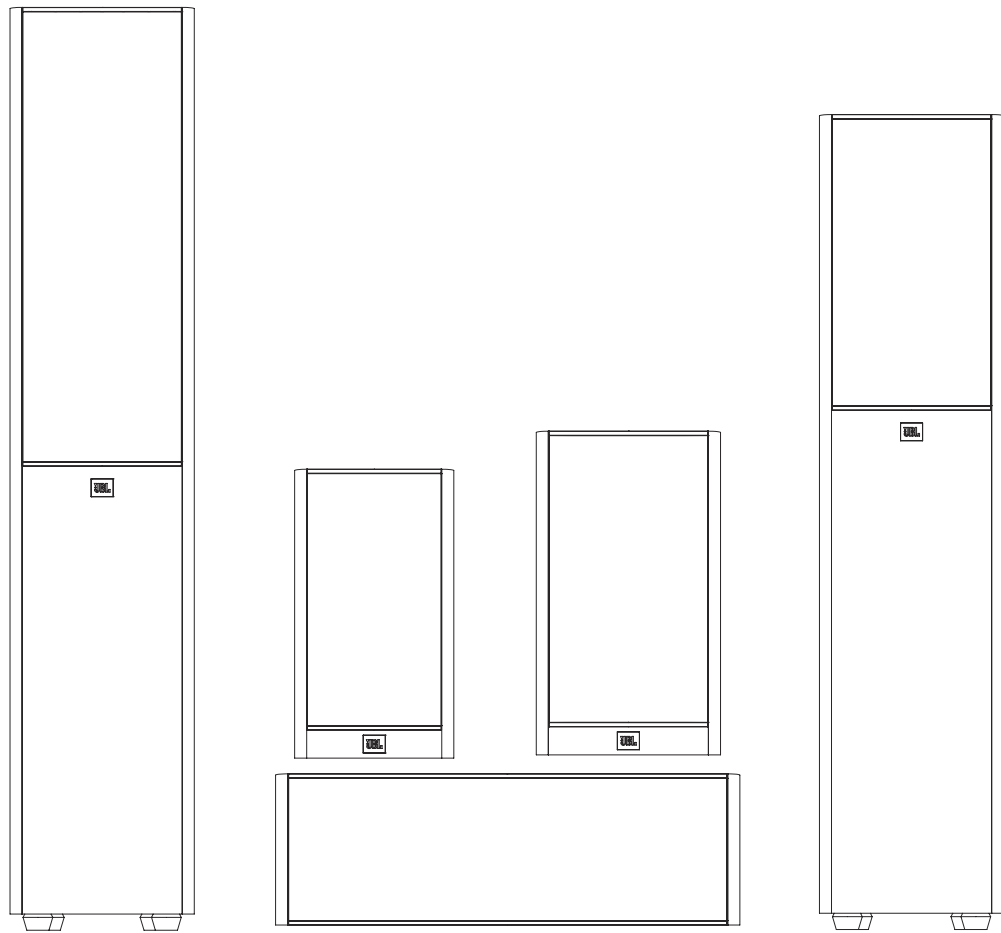




JBL[®] ARENA SERIES

Loudspeakers



THANK YOU FOR CHOOSING THIS JBL® PRODUCT

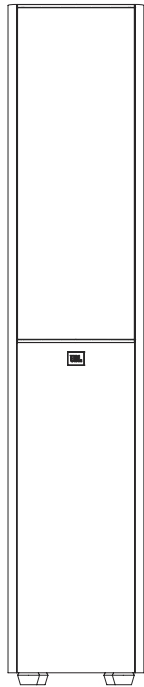
For more than 68 years, JBL® engineers have been involved in every aspect of music and film recording and reproduction, from live performances to the recordings you play on-the-go and in your home, car or office.

We're confident that the JBL system you have chosen will provide every note of enjoyment you expect – and that when you think about purchasing additional audio equipment, you will once again choose JBL products.

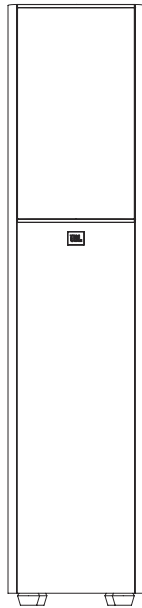
INCLUDED ITEMS

Each box contains one or two loudspeakers, depending on the model, as indicated below.

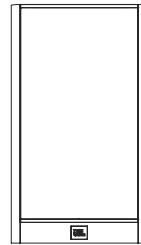
Arena 180
(1) Arena 180 speaker



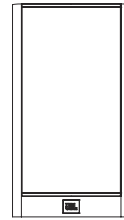
Arena 170
(1) Arena 170 speaker



Arena 130
(2) Arena 130 speakers



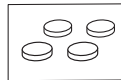
Arena 120
(2) Arena 120 speakers



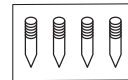
Arena 125C
(1) Arena 125C speaker



Rubber Feet
Arena 125C = 4
Arena 130/120 = 8



Carpet Spikes
(Arena 180/170)



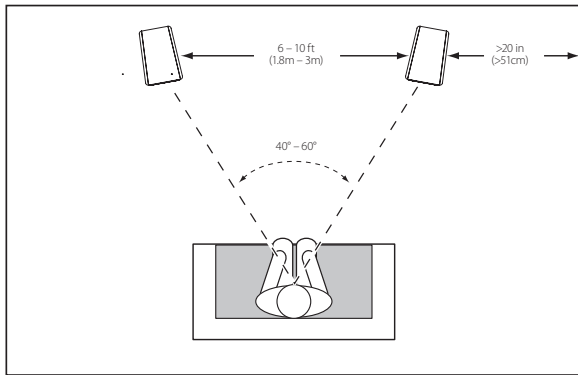
PLACEMENT

ARENA 180/170/130/120 – LEFT AND RIGHT CHANNELS

For best results, place the speakers 6 – 10 feet (1.8m – 3m) apart. Angling the speakers toward the listening position can improve the stereo imaging. The speakers will produce the most accurate stereo soundstage when the angle between the listener and the speakers is between 40 and 60 degrees.

Use the included carpet spikes for stability if you are placing your Arena 180/170 speakers on a thick rug or plush carpeting. The carpet spikes can be manually screwed into each rubber foot on the base of the speaker.

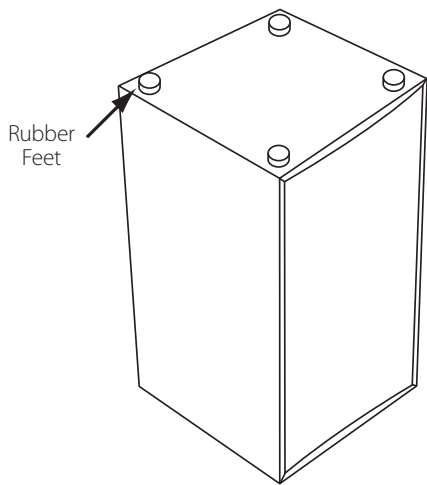
CAUTION: Floorstanding (tower) loudspeakers have a high center of gravity and may become unstable and tip over during earthquakes or if they are rocked, tipped or improperly positioned. Consider anchoring these speakers to the wall behind them, using the procedures and hardware customary for anchoring bookcases and wall units. You are responsible for proper installation and proper selection of hardware.



Generally, bass output will increase as the speaker is moved closer to a wall or corner.

For best performance, we recommend that you place the speakers at least 20 inches (51cm) away from the side walls.

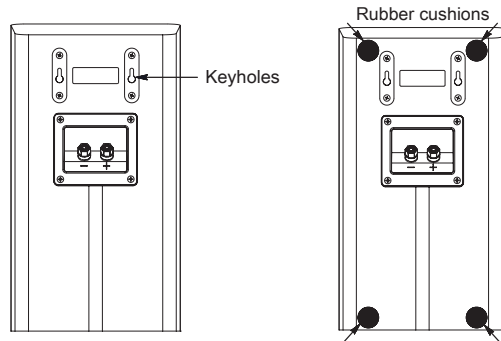
- Position Arena 130/120 shelf speakers so that their tweeters are approximately at ear level. Peel off the adhesive backing and apply 4 rubber feet to the corners on the bottom of each speaker.



WALL-MOUNTING THE ARENA 120

We have designed the Arena 120 speakers to mount directly onto a wall. Each speaker has two keyholes on the back and will require two 1-1/2" (38mm), #10 wood screws fastened to a wall stud. If a wall stud is unavailable, install an anchor appropriate for a 1-1/2", #10 screw.

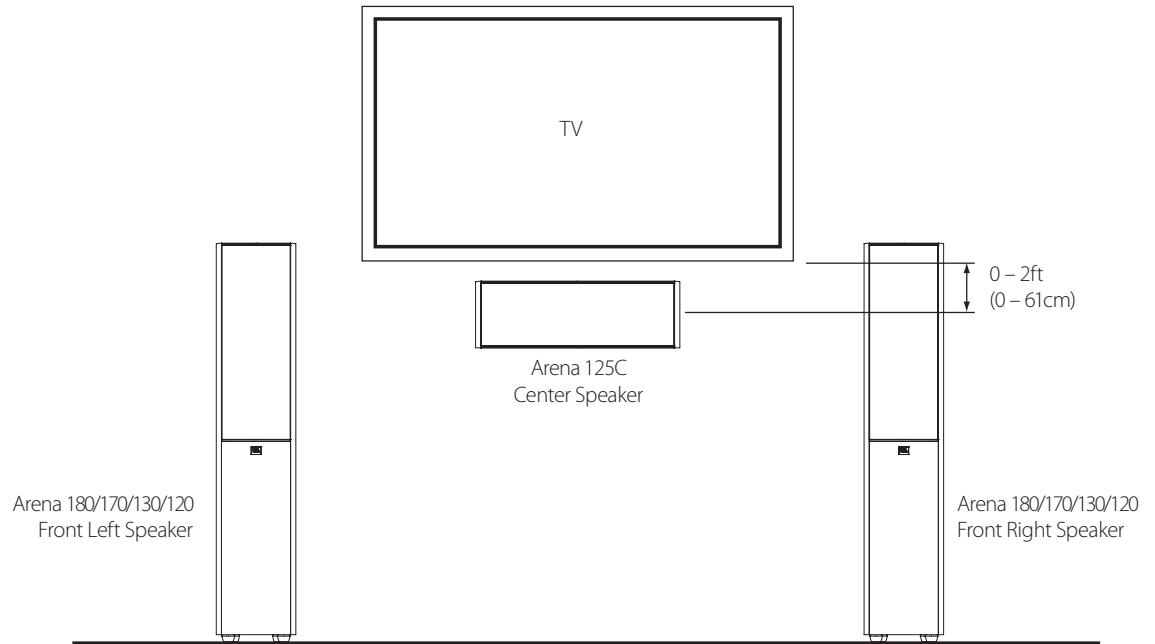
NOTE: You are responsible for the correct selection and use of mounting hardware (available through hardware stores) that will ensure the proper and safe wall-mounting of the speakers.



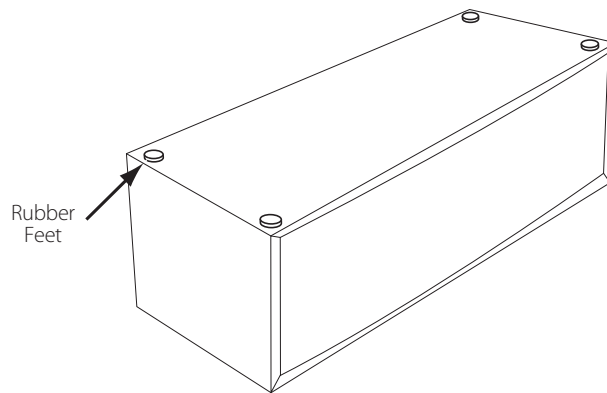
- 1) Using the included wall template, mark the positions on the wall where you would like to place the mounting screws.
- 2) Fasten two 1-1/2" (38mm), #10 wood screws to the wall using the markings from Step 1 as your guide. Leave an 1/16" (1.59mm) space between the wall and screwhead. If a wall stud is not available, use an appropriate anchor.
- 3) To protect wall, attach 4 rubber cushions (included) in suggested locations.
- 4) Place the speaker on the wall by aligning the keyholes on the back of the speaker to the screwheads on the wall. Once positioned properly, the speaker should slide down slightly and become secure.

ARENA 125C

You should place the center speaker directly above or below the center of your TV screen. The speaker's tweeter should be no more than 2 feet (61cm) above or below the tweeters of the front left and front right speakers.



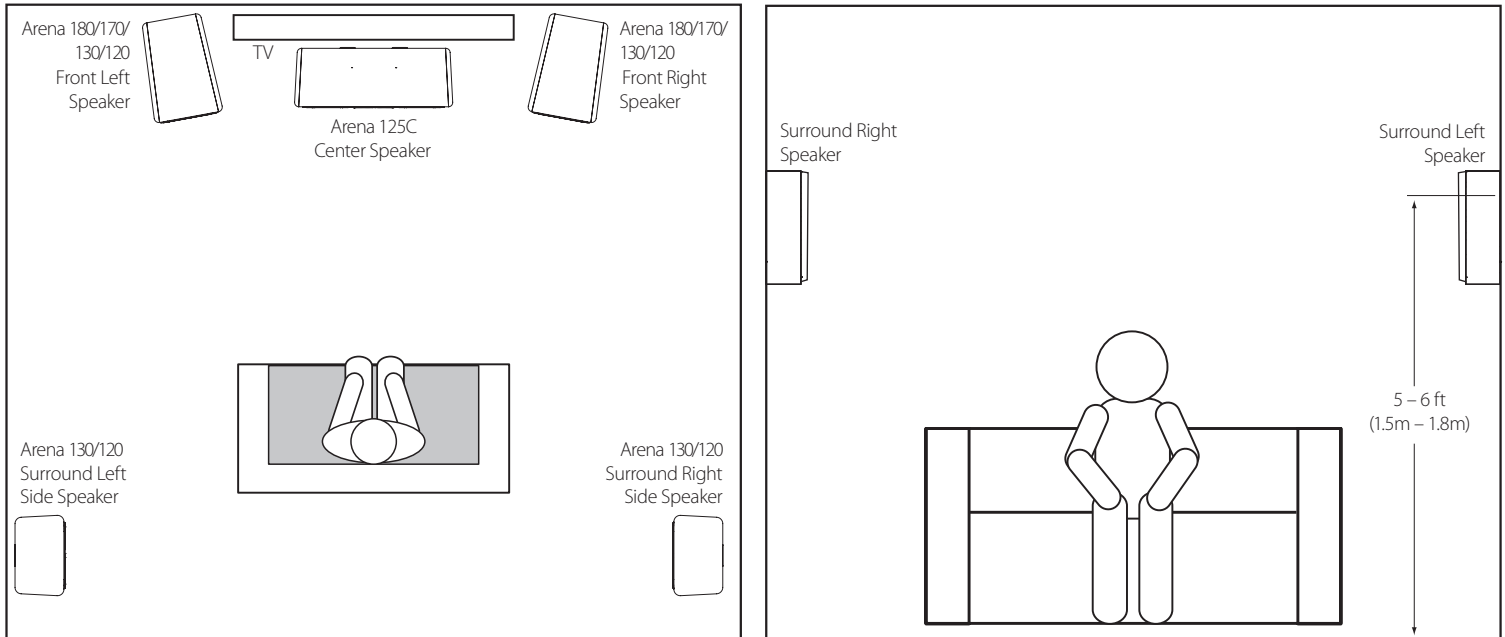
- Peel off the adhesive backing and apply 4 rubber feet to the corners on the bottom of the center channel speaker.



ARENA 130/120 – SURROUND CHANNELS (5.1-CHANNEL SYSTEM)

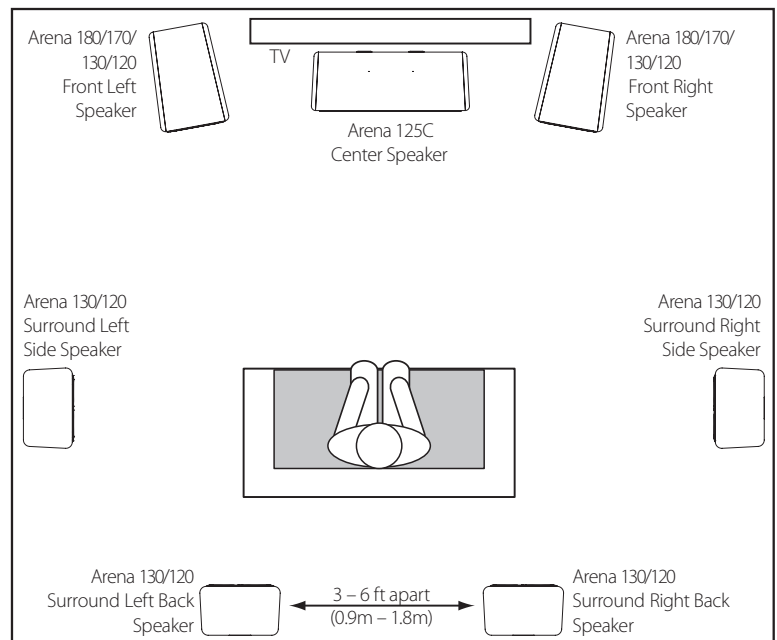
When you use these speakers as surround-channel speakers in a 5.1-channel system, place them slightly behind the listening position, facing each other. Ideally, they should be 5 – 6 feet (1.5m – 1.8m) above the floor. An alternate location would be on a wall behind the listening position, facing forward. The surround speakers should not call attention to themselves while they're playing. Experiment with their placement until you hear a diffuse, ambient sound accompanying the sounds that you hear from the front left, front right and center speakers.

If you are using the Arena 130 bookshelf as a wall-mounted surround solution, be sure not to block the rear port opening.



ARENA 130/120 – SURROUND CHANNELS (7.1-CHANNEL SYSTEM)

When you use these speakers as surround-channel speakers in a 7.1-channel system, place the surround side speakers directly to the sides of the listening position, at least 5 – 6 feet (1.5m – 1.8m) above the floor. Place the surround back speakers on the wall behind the listening position, also at least 5 – 6 feet (1.5m – 1.8m) above the floor and 3 – 6 feet (0.9m – 1.8m) apart.



CONNECTIONS

CAUTION: Make sure that all of the system's electrical components are turned OFF (and preferably unplugged from their AC outlets) before making any connections.

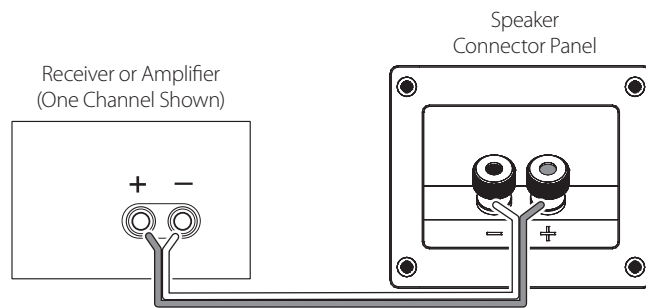
Speakers and amplifiers have corresponding positive and negative (“+” and “-”) connection terminals. All Arena series speakers have connection terminals that are marked “+” and “-” on the terminal-cup assembly. Additionally, the “+” terminals have red markings, while the “-” terminals have black markings.

To ensure proper polarity, connect each “+” terminal on the back of the amplifier or receiver to the respective “+” (red) terminal on each speaker. Connect the “-” terminals in a similar way. Do not reverse polarities (i.e., “+” to “-” or “-” to “+”) when making connections. Doing so will cause poor stereo imaging and diminished bass performance.

IMPORTANT : Make sure the (+) and (-) wires or connectors do not touch each other or the other terminal. Touching wires can cause a short circuit that can damage your receiver or amplifier.

BASIC SINGLE-WIRE CONNECTION

Connect the amplifier to each speaker as shown in the illustration below.



CARING FOR YOUR SPEAKERS

- Do not place objects on top of the speaker.
- Wipe the cabinet with a clean, dry cloth to remove dust. Damp cloths may dull the cabinet finish. Do not use volatile liquids or solvents such as benzene, paint thinner or alcohol on the cabinet.
- Do not spray chemicals near the cabinet.
- To remove dust from the grille fabric, use a vacuum cleaner set to “low” suction.
- Do not wash the grilles in water, as it may fade the color or make them uneven.
- If the woofer cones become dusty, you can carefully sweep them clean with a soft, dry calligraphy brush or paint brush. Do not use a damp cloth.
- NEVER touch the tweeter dome or put anything against it.

HARMAN Harman International, Inc.
8500 Balboa Boulevard, Northridge, CA 91329 USA

© 2014 Harman International Industries, Incorporated. All rights reserved.

Features, specifications and appearance are subject to change without notice.

www.jbl.com

TR00052_A

